



**AUTOMATIC TIRE CHAINS**

**VEHICLE SUSPENSION INFORMATION**

*Volvo B Ride*

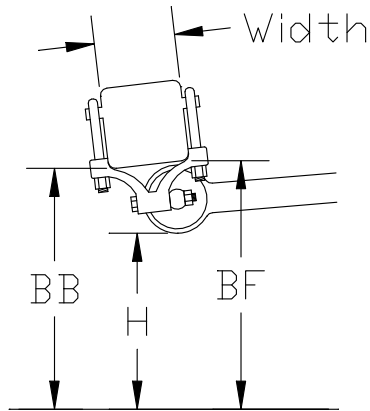
Form #3130045

Dealer Name \_\_\_\_\_ Customer Name \_\_\_\_\_ Unit # \_\_\_\_\_

(please circle) Axle Measuring FRONT / REAR

Brake Chamber Location Front / Rear

Tire Size \_\_\_\_\_



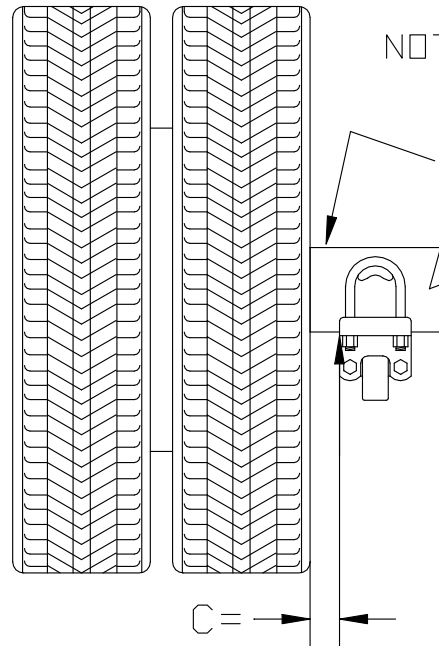
Side View

BF =

BB =

H =

W =



Rear View

C =

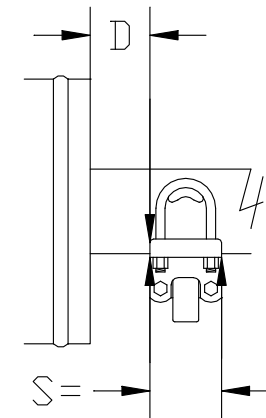
<Distance From Saddle>

<Plate to Tire Sidewall>

NOTE: AXLE STYLE  
(Circle One)

ROUND

SQUARE



Rear View  
<Brake Drum>

S =

<Width of Saddle>

D =

<Distance From>

<Saddle Plate to>

<Brake Drum>

**QUESTIONS? 1-800-224-2467**  
**FAX COMPLETED FORM TO: 812-346-1819**  
**OR EMAIL TO: service@onspot.com**